

The E-Class Coupé



Mercedes-Benz





Made to win the day.

The new E-Class Coupé is the synthesis of luxurious comfort and dynamic sportiness.



Dynamism from any angle.

The coupé design blends powerful contours and timeless modernity in a way that is particularly apparent in the optional AMG Line. The new E-Class Coupé radiates dynamism from every angle.



Climb in and win.

Start with the right feeling. The sporty-looking interior with the restyled steering wheel and the digital cockpit is characterised by high quality and flowing forms and represents a new interpretation of modern luxury.



S MB 2387

Chief Dynamicist.

Powerful engines and the optional adjustable suspension make the new E-Class Coupé more agile than ever. You determine how sporty your drive is.

The image shows the front interior of a car. The driver's seat is in the foreground, featuring a perforated leather texture. The passenger seat is visible behind it. The center console has a gear shifter and handbrake. The dashboard and steering wheel are visible, with a large infotainment screen displaying a music interface. The car's interior is finished with dark leather and perforated leather, with red ambient lighting accents.

The perfect setting for success.

Reach your destination in comfort: the optional ENERGIZING packages offer many routes to relaxation –for example through music and sound, ambient lighting or the AIR-BALANCE package. All functions are bundled as packages and can be called up individually and to suit your mood. Every programme enhances wellbeing and reduces stress.



MBUX.

Chief Digital Officer. The new E-Class Coupé boasts the latest infotainment system in the new digital cockpit, with a host of innovative features such as intelligent adaptive software and voice control.



MULTIBEAM LED headlamps.

The optional MULTIBEAM LED headlamps automatically adapt to the surroundings and react to the traffic situation with individually controlled LEDs.



Multi-spoke light alloy wheels (optional).

Poised assurance on the road. The modern rim designs give the new E-Class Coupé a scaled-back, contemporary style.



Burmester® surround sound system.

Enjoy the high-performance speakers from Burmester®. Sophisticated noise compensation (VNC) dynamically adapts music and sounds to the driving situation in order to offer you the best possible musical enjoyment at all times.



Ambient lighting.

Showcase the interior according to your personal preferences or current mood. The 64 colours of the ambient lighting system create exciting colour schemes, which can alternate dynamically or illuminate several areas in different colours.

AVANTGARDE.

Individuality and sportiness as standard: the base version of your E-Class already comes with the attractive AVANTGARDE exterior. This clearly accentuates the dynamics and the elegance of your vehicle. The interplay of all elements results in an expressive vehicle. The lowered suspension underlines this impression.



AMG Line.

Demonstrate that you care strongly about sportiness: with the discrete styling of the optional AMG Line, your focus is clearly on modern design and striking dynamics. The interplay of all elements conveys an expressive overall impression. Particularly noteworthy features include the exclusive AMG light-alloy wheels and the AMG-specific rear apron in diffuser look.



Night package.

With the optional Night package your sporty exterior looks even more expressive. Numerous elements are retained in black or high-gloss black. Depending on the paint finish, this creates contrast or flowing transitions. Whichever you choose: there are always clear benefits in terms of individuality.



ENERGIZING package.

Comfort for all the senses: this optional package pools selected equipment features with innovative intelligence. Your Mercedes can revitalise you in a targeted manner – for prolonged alertness at the wheel and a pleasant drive. With up to five comfort programs and extras such as the seat heating for the driver and front passenger.





A new generation is off to a flying start.

A new engine generation makes the new E-Class Coupé sportier and more efficient at the same time.



Do another lap.

Adapt the new E-Class Coupé to suit your preferences perfectly: the optional DYNAMIC BODY CONTROL suspension has three set-ups, ranging from maximum agility through to superb ride comfort. The optional AIR BODY CONTROL air suspension system ensures comfortable motoring even on bumpy roads.

Made to win the night.

Every Mercedes-AMG is a masterpiece in its own right, with an unmistakable character. What unites our performance vehicles and sports cars is their irrepressible sporting spirit. Their passion for top performance. It is generated at the point where engineering skill meets a very special attitude: the spirit of AMG. We believe that you have to keep on challenging limits in order to achieve new goals. We accept nothing as a given. Because limits are imposed by people, and it's also people who can overcome them. It's this attitude that enables us to achieve outstanding performance for the race track – and for the road.

Welcome to the world of AMG.

www.mercedes-amg.com

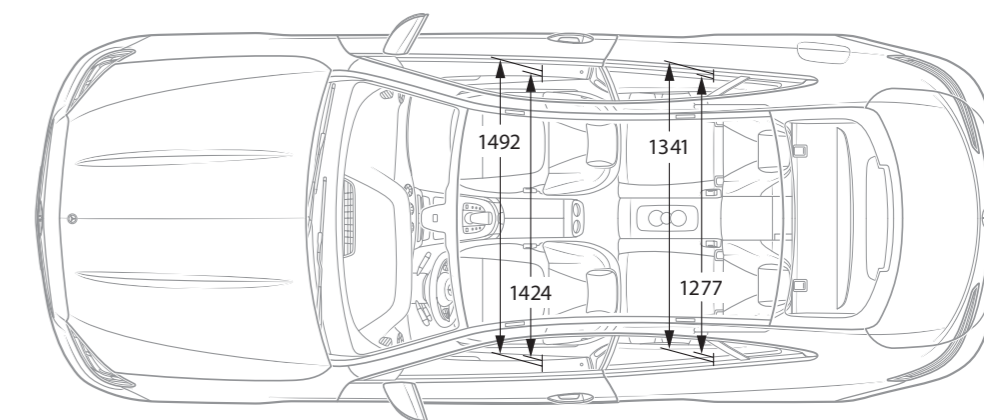
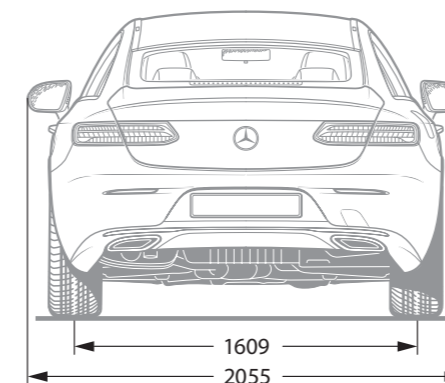
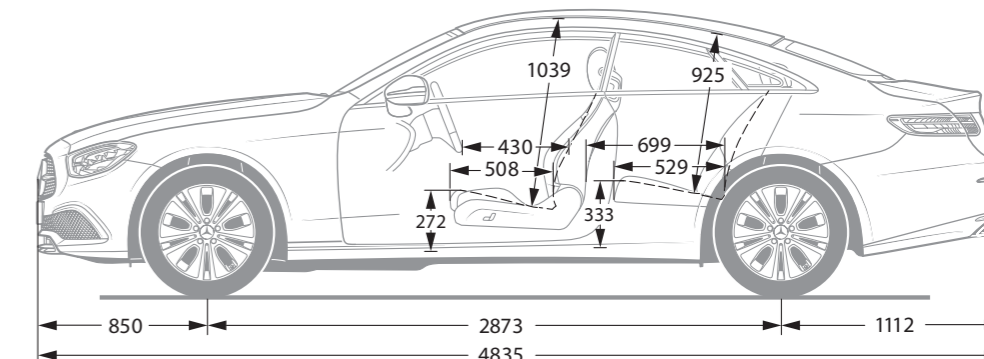
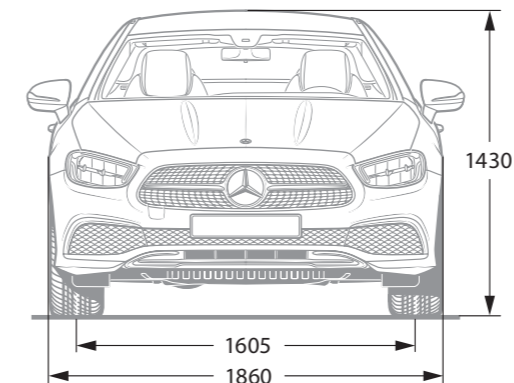
AMG
DRIVING PERFORMANCE



Technical data.

	E 200 Coupé
No. of cylinders/arrangement	4/in-line
Displacement (cc)	1,991
Rated output ¹ (hp / rpm)	197 / 5,500 - 6,100
Rated torque (Nm / rpm)	320 / 1,650 - 4,000
Acceleration 0-100km/h (secs)	7.5
Top speed (km/h)	237
Fuel consumption ² (l/100km)	7.9
VES band	C1

Dimensions.



The best for the engine:
Mercedes-Benz genuine engine oils.

¹Rated output and torque figures in accordance with Directive 80/1269/EEC in the currently applicable version. ²Fuel consumption figures are derived from combined tests & tested by local regulations in accordance with UN ECE R101. Under real-life driving conditions deviations may occur in comparison to the certified standard values. The actual values are influenced by a number of individual factors, such as personal driving style, environmental and route conditions. Further technical data may be found on www.mercedes-benz.com.sg.

All figures in millimetres. The pictured dimensions are mean values. They are valid for vehicles in basic specification and in unladen condition.

Upholstery.

Upholstery

- 201 Leather Black
- 204 Leather Saddle Brown / Black
- 215 Leather Macchiato Beige / Yacht Blue
- 225 Leather Macchiato Beige / Magma Grey



201



204



215



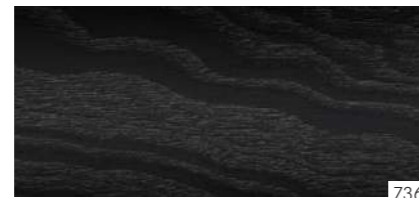
225

Trim.

Trim

- 736 Open-pore black ash wood trim
- H01 High gloss light brown sen wood trim
- H06 Brown high-gloss ash wood trim
- H32 Grey open-pore ash wood trim
- H64 Metal-weave trim
- H78 Light carbon-grain aluminium trim*

*Standard trim



736



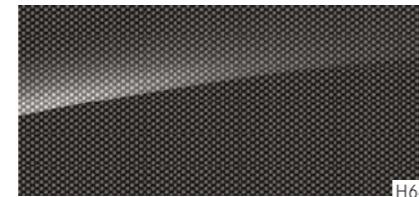
H01



H06



H32



H64



H78

Paintwork.

Paintwork

Non-metallic paints

- 040 Black
- 149 Polar White

Metallic paints

- 197 Obsidian Black
- 660 Rubellite Red
- 831 Graphite Grey
- 859 Mojave Silver
- 896 Brilliant Blue
- 922 High-Tech Silver
- 989 Emerald Green
- 992 Selenite Grey

designo paints*

- 799 Designo Diamond White Bright
- 993 Designo Patagonia Red Bright

*Optional Extra

Non-metallic paints

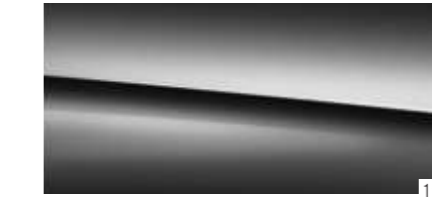


040



149

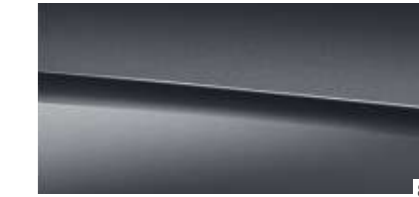
Metallic paints



197



660



831



859



896



922



989



992

designo paints



799



993



SPORT — F O R — GOOD

Mercedes-Benz AG is one of the founding partners of the worldwide “Laureus Sport for Good Foundation”, which was established in 2000. It is the Mercedes-Benz brand’s most important social initiative. Laureus Sport for Good supports children and young people in need through social sports projects, opening up new perspectives and imparting important values such as team spirit, respect and determination. “Change the Game for Kids” is our mission statement which we wish to share with you. In buying a Mercedes-Benz you are supporting the “Laureus Sport for Good” movement.

Please note: changes may have been made to the product since the editorial deadline (Jan 2021). The manufacturer reserves the right to make changes to the design, form, colour and the product specification during the delivery period, provided these changes, while taking into account the interests of the vendor, can be deemed reasonable with respect to the purchaser. Where the seller or the manufacturer uses symbols or numbers to describe an order or the subject of an order, no rights may be derived solely from these. The illustrations may show accessories and items of optional

equipment which are not part of standard specification. For current and more specific information in relation to the regulations and requirements in your own country and their consequences, please contact your nearest authorised Mercedes-Benz Passenger Car Dealer, Cycle & Carriage at 6298 1818.

www.mercedes-benz.com