

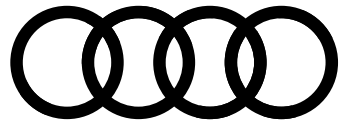
## With every Audi comes a life full of privileges

Audi ownership doesn't only get you to drive the most luxurious cars in the world. Thanks to myAudiworld, Singapore's premier privilege program, it also grants you access to one-of-a-kind experiences and bespoke events that always deliver the best in gastronomy, sports, culture and driving experiences, only reserved to our distinguished members.



To discover more about the exclusive privileges that come with owning an Audi, visit [www.myAudiworld.sg](http://www.myAudiworld.sg)

**PREMIUM AUTOMOBILES**  
281 Alexandra Road Singapore 159938 Tel: 6836 2223  
55 Ubi Road 1 Singapore 408699 Tel: 6366 2323  
Information is accurate as at June 2022



  
5-year unlimited  
mileage warranty

  
5-year 24-hour  
roadside assistance

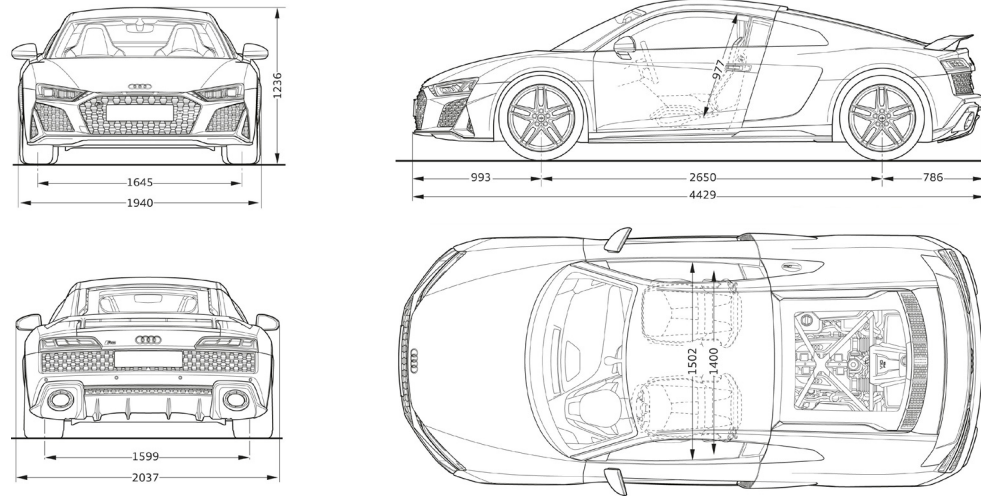
**R8**  
Coupé



## TECHNICAL DATA

	R8 Coupé 5.2 FSI performance RWD S tronic
<b>ENGINE</b>	
Propellant	Petrol
Type	V10 cylinder engine with combined intake manifold and direct fuel injection
Valves	40
Engine capacity	5,204
Max output kW (hp)/rpm	419 (570) / 8,000
Max torque (Nm)/rpm	550 / 6,400
<b>TRANSMISSION</b>	
Gearbox	7-speed S tronic transmission
Drive	Rear wheel drive
<b>PERFORMANCE</b>	
Acceleration 0-100km/h	3.7
Top speed (km/h)	329
Fuel consumption (combined) in l/100km	13.5
VES banding	C2
Start/stop system	Yes
<b>CHASSIS</b>	
Steering	Electromechanical power steering
Front suspension	Double wishbone suspension
Rear suspension	Double wishbone suspension
<b>BRAKES</b>	
Front	Ventilated discs
Rear	Ventilated discs
Braking assistance	Anti-lock Braking System (ABS)

### Measurements (All in mm)



Dimensions are based on technical data from Audi Germany.  
Actual specifications may vary from models shown.

Wheelbase	2,650
Length	4,429
Height	1,236
Width (mirrors folded/unfolded)	1,940 / 2,037
Track (front/rear)	1,645 / 1,599
Turning circle (m)	11.2
Kerb weight (kg)	1,590
Luggage volume (litres)	112
Fuel tank (litres)	73

## STANDARD/OPTIONAL EQUIPMENT

	R8 Coupé 5.2 FSI performance RWD S tronic
<b>SAFETY</b>	
Anti-theft wheel bolts and alarm system	•
Front side airbags with head airbag system	•
Full-size airbags without front passenger airbag deactivation	•
Seat belt monitoring	•
<b>TECHNOLOGY AND ASSISTANCE SYSTEMS</b>	
Audi drive select	•
Convenience key with safelock	•
Cruise control	•
Parking aid plus with reversing camera	•
RWD sport suspension	•
<b>EXTERIOR DESIGN</b>	
Air outlet surrounds in matte anthracite black	•
Exhaust system with chrome-plated tailpipe trims	•
Exhaust system with gloss black tailpipe trims	◦
Exterior mirrors convex on left, aspheric on right	•
Exterior mirror housings in body colour	•
Exterior mirror housings in gloss black	◦
Exterior mirrors electrically adjustable, heated and folding, automatically dimming	•
Gloss black styling package	•
LED daytime running lights	•
LED headlights with high beam assist	•
LED headlights in dark tinted glass with dynamic turn signal, Audi laser light and high beam control	◦
LED rear lights with dynamic indicators	•
Radiator protective grille in gloss black	•
Rear spoiler, extendable	•
Side blades in mythos black, metallic	•
Side blades in gloss carbon, kendo gray or ice silver, metallic	◦
<b>WHEELS</b>	
Alloy wheels, 5-V spoke Evo, anthracite black, gloss turned finish, 8.5J x 20 with 245/30 R20 tyres in front and 11.0J x 20 with 305/30 R20 tyres at rear	◦
Alloy wheels, 5-V spoke Evo, titanium grey matte, gloss turned finish, 8.5J x 20 with 245/30 R20 tyres in front and 11.0J x 20 with 305/30 R20 tyres at rear	•
Steel brakes with brake calipers in gloss black	•
Steel brakes with brake calipers in gloss red	◦
Tyre pressure monitoring system	•
Tyre repair kit	•
<b>COMFORT</b>	
Deluxe automatic air conditioning	•
Electrically and pneumatically adjustable seats with memory function for driver's seat	•
Lighting package	•
R8 sport seats in fine nappa leather, with heated seats	•
Windscreen in heat insulating glass	•
<b>INTERIOR DESIGN</b>	
Alcantara headlining in black	◦
Cloth headlining in black	•
Frameless interior mirror with automatic dimming and light/rain sensor	•
Inlays in anodized paint finish, anthracite	•
Extended inlays in titanium finish, gloss anthracite	•
Full leather package	◦
Full leather package with contrast stitching	◦
Leatherette package	•
Pedals and footrest in stainless steel	•
R8 sport leather steering wheel, 3-spoke, flat-bottomed with multifunction plus and 2 control satellites	•
Door sill trims in gloss carbon with illuminated aluminium insert, Audi exclusive	◦
<b>INFOTAINMENT</b>	
Audi phone box light	•
Audi smartphone interface	•
Audi virtual cockpit	•
Bang & Olufsen sound system with speakers integrated into the head restraints	•
MMI navigation plus with MMI touch	•

Actual specifications may vary from model shown. Options and features of the Audi R8 Coupé are model dependent and available at the purchaser's option.  
• Standard equipment ◦ Optional equipment

LED headlights with high beam assist



R8 sport leather steering wheel, 3-spoke, flat-bottomed with multifunction plus and 2 control satellites



Audi virtual cockpit



Bang & Olufsen sound system with speakers integrated into the head restraints



Extendable rear spoiler

