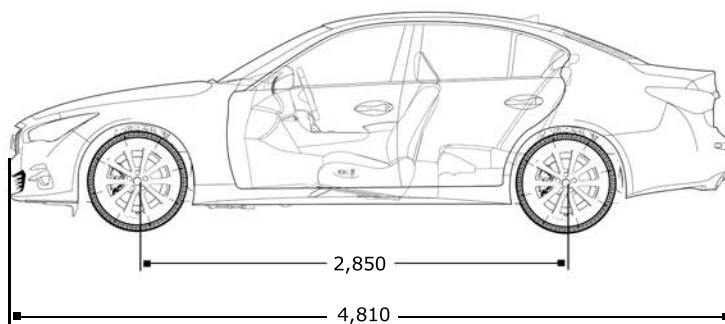
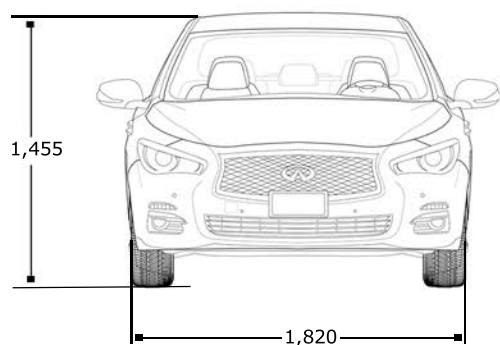




Q50

KEY SPECIFICATIONS

Engine Type	1,991cc, Four-cylinder Inline, Turbocharged
0 - 100 km/h	7.2 seconds
Horsepower	208hp @ 5,500rpm
Torque	350Nm @ 1,250 to 3,500rpm
Top Speed	245km/h (limited)
Fuel Consumption (Combined)	7.3L/100km
CO ₂ Emissions	168g/km
Ves Banding	C1
Fuel Capacity	80L
Boot Capacity	510L
Kerb Weight	1,656kg
Transmission	7-speed automatic transmission with Adaptive Shift Control (ASC) & Downshift Rev Matching (DRM) with manual override



All dimensions are indicated in mm.

INFINITI Q50

SPECIFICATIONS

	Q50 2.0T Luxe	Q50 2.0T Sensory with ProACTIVE
DRIVE TYPE		
Rear-Wheel Drive (RWD)	●	●
SUSPENSION		
Front independent double-wishbone & rear independent multi-link suspension	●	●
TECHNOLOGY		
INFINITI Drive Mode Selector (Standard, Sport, Snow & Personal)	●	●
Eco Pedal	–	●
360° Around View Monitor®	–	●
Front and rear parking sensors with reverse camera	●	●
Keyless entry/start	●	●
INFINITI Intuition™ linked to individual intelligent keys with memory for driver's seats, mirrors, audio, steering wheel & driving characteristics	●	●
Cruise control	●	–
Intelligent cruise control	–	●
Active Noise Cancellation (ANC)	●	●
Hill Start Assist (HSA)	●	●
Navigation	–	●
EXTERIOR		
Adaptive LED front headlights with LED daytime running lights	–	●
LED front headlights with LED daytime running lights	●	–
High beam assist with automatic dimming function	–	●
Front & rear LED fog lamps	●	●
Rain-sensing wipers	●	●
Power sunroof	●	●
INTERIOR		
Soft-feel semi-aniline leather	●	●
8-way power driver & front passenger seats with adjustable lumbar support for driver	●	●
Dual Zone Automatic Temperature Control (ATC) system with microfilter	●	●
Tyre pressure monitoring system with display	●	●
INFINITI InTouch™ dual display screens, LCD/VGA 8-inch upper & 7-inch lower colour displays	●	●
Leather-clad power adjustable tilt & telescopic multi-functional steering wheel	●	●
Piano Black interior trim	●	–
Maple Wood interior trim	–	●
ENTERTAINMENT & CONNECTIVITY		
INFINITI studio 6-speaker sound system, CD/DVD, speed-sensitive volume	●	–
Bose® Performance Series, 16-speaker premium audio system, CD/DVD & speed-sensitive volume	–	●
Bluetooth® hands-free phone system	●	●
INFINITI Voice Recognition for audio, vehicle information	●	●
Two USB connection ports with multimedia playback on WVGA colour display	●	●
BRAKES		
Front & Rear ventilated brake discs	●	●
SAFETY		
Anti-lock Braking System (ABS) & Electronic Brakeforce Distribution (EBD)	●	●
Vehicle Dynamic Control (VDC) with Traction Control System (TCS)	●	●
3-point front seat belts with pretensioners & load limiters, Emergency Locking Retractor (ELR) & Automatic Locking Retractor (ALR) for driver and passenger seats	●	●
INFINITI ProACTIVE (Lane Departure Warning, Blind Spot Warning, Forward Collision Warning, Back-up Collision Intervention)	–	●
ISOFIX child seat attachment	●	●
6 airbags	●	●
WHEELS & TYRES		
18 x 7.5" alloy wheels with 225/50R18 run-flat performance tyres	●	●
WARRANTY		
3 years warranty or up to 100,000 km*	●	●

Terms apply. Specifications may be subjected to change without prior notice. Actual fuel consumption may vary depending on road conditions and proportion of city/highway driving.
*Whichever comes first.