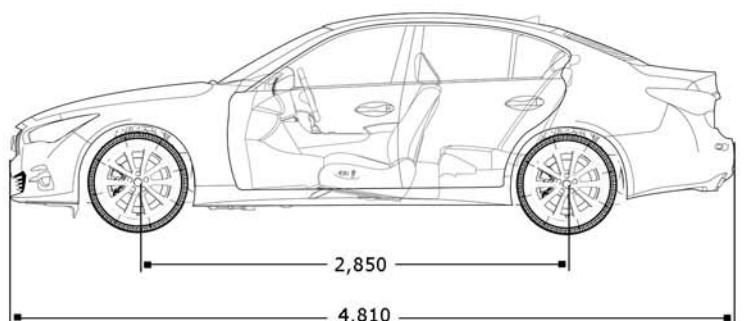
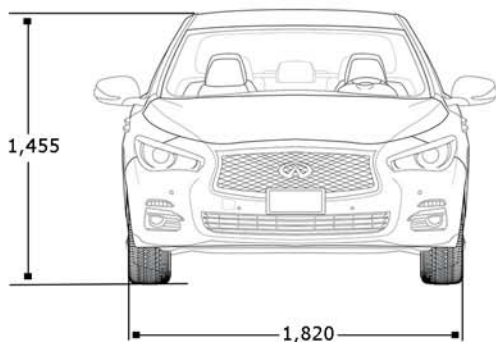




## New Q50

### KEY SPECIFICATIONS

Engine Type	1,991cc, Four-cylinder Inline, Turbocharged
0 - 100 km/h	7.2 seconds
Horsepower	208hp @ 5,500rpm
Torque	350Nm @ 1,250 to 3,500rpm
Top Speed	245km/h (limited)
Fuel Consumption (Combined)	7.3L/100km
CO <sub>2</sub> Emissions	168g/km
Ves Banding	C1
Fuel Capacity	80L
Boot Capacity	510L
Kerb Weight	1,656kg
Transmission	7-speed automatic transmission with Adaptive Shift Control (ASC) & Downshift Rev Matching (DRM) with manual override



All dimensions are indicated in mm.

# NEW INFINITI Q50 SPECIFICATIONS

	Q50 2.0T Luxe	Q50 2.0T Sensory	Q50 2.0T Sensory with ProACTIVE
<b>DRIVE TYPE</b>			
Rear-Wheel Drive (RWD)	•	•	•
<b>SUSPENSION</b>			
Front independent double-wishbone & rear independent multi-link suspension	•	•	•
<b>TECHNOLOGY</b>			
INFINITI Drive Mode Selector (Standard, Sport, Snow & Personal)	•	•	•
Eco Pedal	–	–	•
360° Around View Monitor®	–	•	•
Front and rear parking sensors with reverse camera	•	•	•
Keyless entry/start	•	•	•
INFINITI Intuition™ linked to individual intelligent keys with memory for driver's seats, mirrors, audio, steering wheel & driving characteristics	•	•	•
Cruise control	•	•	–
Intelligent cruise control	–	–	•
Active Noise Cancellation (ANC)	•	•	•
Hill Start Assist (HSA)	•	•	•
Navigation	–	•	•
<b>EXTERIOR</b>			
Adaptive LED front headlights with LED daytime running lights	–	•	•
LED front headlights with LED daytime running lights	•	–	–
High beam assist with automatic dimming function	–	•	•
Front & rear LED fog lamps	•	•	•
Rain-sensing wipers	•	•	•
Power sunroof	•	•	•
<b>INTERIOR</b>			
Soft-feel semi-aniline leather	•	•	•
8-way power driver & front passenger seats with adjustable lumbar support for driver	•	•	•
Dual Zone Automatic Temperature Control (ATC) system with microfilter	•	•	•
Tyre pressure monitoring system with display	•	•	•
INFINITI InTouch™ dual display screens, LCD/VGA 8-inch upper & 7-inch lower colour displays	•	•	•
Leather-clad power adjustable tilt & telescopic multi-functional steering wheel	•	•	•
Piano Black interior trim	•	–	–
Maple Wood interior trim	–	•	•
<b>ENTERTAINMENT &amp; CONNECTIVITY</b>			
INFINITI studio 6-speaker sound system, CD/DVD, speed-sensitive volume	•	–	–
Bose® Performance Series, 16-speaker premium audio system, CD/DVD & speed-sensitive volume	–	•	•
Bluetooth® hands-free phone system	•	•	•
INFINITI Voice Recognition for audio, vehicle information	•	•	•
Two USB connection ports with multimedia playback on WVGA colour display	•	•	•
<b>BRAKES</b>			
Front & Rear ventilated brake discs	•	•	•
<b>SAFETY</b>			
Anti-lock Braking System (ABS) & Electronic Brakeforce Distribution (EBD)	•	•	•
Vehicle Dynamic Control (VDC) with Traction Control System (TCS)	•	•	•
3-point front seat belts with pretensioners & load limiters, Emergency Locking Retractor (ELR) & Automatic Locking Retractor (ALR) for driver and passenger seats	•	•	•
INFINITI ProACTIVE (Lane Departure Warning, Blind Spot Warning, Forward Collision Warning, Back-up Collision Intervention)	–	–	•
ISOFIX child seat attachment	•	•	•
6 airbags	•	•	•
<b>WHEELS &amp; TYRES</b>			
18 x 7.5" alloy wheels with 225/50R18 run-flat performance tyres	•	•	•
<b>WARRANTY</b>			
3 years warranty or up to 100,000 km*	•	•	•

Terms apply. Specifications may be subjected to change without prior notice. Actual fuel consumption may vary depending on road conditions and proportion of city/highway driving.  
\*Whichever comes first.

